

FIGHTER



Simply Better Trucks

FUSO

More power to your business!

When a medium to heavy-duty truck is your choice, the FUSO Fighter (FK/FM/FN) series with its contemporary styling and robust chassis to match is the logical way to move maximum payloads. Look no further for a reliable, high quality and thoroughly durable truck series that will exceed your expectations. These medium-to heavy-duty trucks with their easy-going personality and hard working design are ideal as moving vans, tippers, roll-back auto recovery and a host of other applications. The FUSO Fighter (FK/FM/FN) series offers a variety of efficient, economical and powerful engines with one of the roomiest, most comfortable and well appointed cabs in the business.



Comfort & Durability

Upgraded features such as a new instrument cluster, designed for supremely efficient and smooth operation, is easily visible with all relevant information accessible at a glance. A downsized steering wheel for improved grip and handling and a passenger car-styled short stroke shift lever are just some of the many refinements that markedly assist in simplifying overall operation and lowering driver fatigue. A roomy well-appointed cabin welcomes the operator to refined levels of comfort and safety. With plenty of storage space for the drivers day-to-day necessities, it all adds to driver comfort, safety and productivity. Step to floor distance is optimised to enable easier entry and exit out of the cab. Soft oval lines, fully adjustable driver's seat, high performance ventilation system and more combine to create an interior environment of total comfort and refinement.



Maintenance

The FUSO Fighter FK, FM and FN series incorporate innovative new ideas to simplify service and maintenance. Items required to facilitate frequent maintenance checks are located under the front panel, which lifts up for direct access. A tilt-cab with modified hinges, requiring less effort for the cab tilt operation, is a further modification guaranteed to make life a lot easier for both operator and maintenance personnel.



Drivetrain

FUSO has made numerous improvements to further enhance the performance and efficiency of both the 6M60-1AT1 and 6M60-1AT2 diesel engines. The transmissions have been upgraded with a new high-rigidity single unit aluminium case, wider rear teeth for improved durability and smoother shifting operation. On the two high output versions, the well-known Eaton 9-speed synchromesh transmission is used.



Chassis

The FK, FM and FN series boast class leading chassis design that boosts durability and strength against torsional stress, even under the most rigorous operating conditions. This latest technology in chassis design (incorporating riveted construction) provides a very tough, flexible yet lightweight chassis frame. Utilising computer technology, this new frame features a rivetless upper surface which simplifies body mounting with the resultant reduction of costs. The chassis is suitable for a wide range of body applications limited only by the imagination of the operator.

The FN25-270 uses high articulation steel transunion type suspension for excellent traction in all conditions.



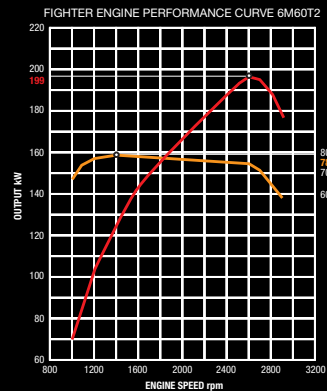
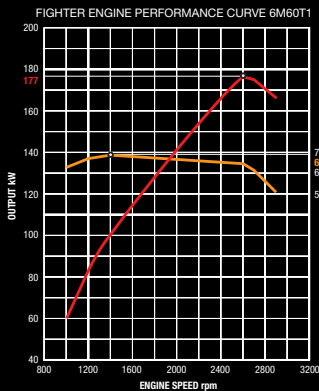
Safety & Reliability

Now you can have all the confidence of being in perfect control on the road with the new FUSO range. Superior design features like a panoramic wind-shield and low-side windows offer drivers an enhanced view of the road, while an improved suspension and new four-spoke steering wheel ensure maximum control. Add to this a highly rigid cab design and comprehensive safety features and you get maximum peace of mind. The new FUSO range sports the following in safety enhancements:

- Improved visibility
- Taper roller full air brakes on most models
- Anti-lock braking system (ABS)
- Rigid cab structure with door side beam
- Impact-absorbing safety steering wheel

Advanced Braking System

Heavy duty brakes with environmentally friendly non-asbestos brake linings are fitted as standard on the FUSO FK, FM and FN series.



*Actual vehicle may differ slightly from pictures shown

SPECIFICATIONS

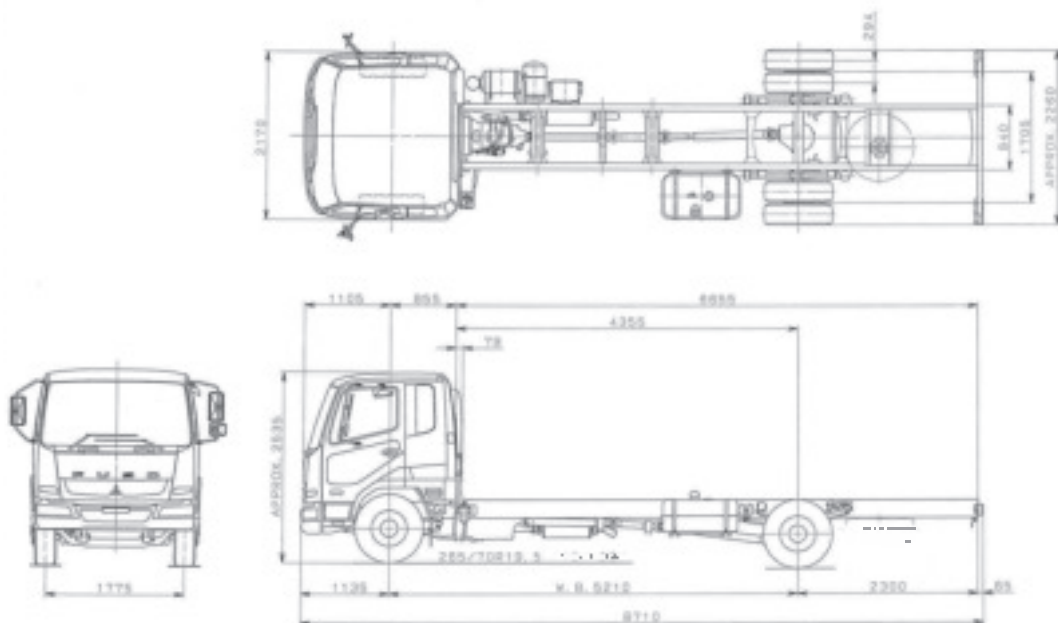
FK 13-240

Make		FUSO
Range		Fighter
Model		FK13-240 FC
Model Code		FK62FLZ1RBJ1
Axle Layout		4X2
Cab		Forward Control
Crew		3 seating
Vehicle type		Freight Carrier
Mass Data (kg)		
GVM	Manufacturer's gross vehicle mass	13500
GCM	Manufacturer's gross combination mass	20000
D/T	Permissible max towing drawing vehicle mass	20000
GA-Front	Manufacturer's front axle mass	5000
GA-Rear	Manufacturer's rear axle mass	9200
V	Permissible maximum vehicle mass	13500
AF	Permissible maximum front axle mass	5000
AR	Permissible maximum rear axle mass	9000
UF	Unladen front axle mass	2340
UR	Unladen rear axle mass	1515
UT (Tare)	Total unladen mass	3855
Permissible Body + Payload		9645
Fuel Tank (Litres)	Capacity	200
Dimensions (mm)		
OL	Overall length	8710
OW	Overall width	2260
CA	Cab to Axle	4355
OH	Overall height	2535
FOH	Front overhang	1135
ROH	Rear overhang	2300
WB	Wheelbase	5210
Performance		
Gradeability at Permissible Maximum Weight (V)		41.5%
Maximum Speed (SA Legislation)		80 km/h
Minimum turning radius		9.1 m
Standard Equipment/features		
Antilock Braking System (ABS) Exhaust Brake System Lockable Fuel Tank Cap Outside mirror with long stay Seatbelt for driver, front centre and driver assistant Ashtray on door for driver and assistant Cigarette lighter Survivor for Driver and assistant Interior mirror Heater and defroster Dual type electric horn All lamps with E.e mark Intelligent Instrument cluster Telescopic and tilt steering column with Steering lock Filter minder Reverse Warning Buzzer		
Standard Services		
4 years / 300 000 km warranty		
20 000km maintenance schedule		

Engine	
Make	FUSO
Model	6M60-1AT1
Configuration	Diesel inline 6
Capacity (cm3)	7545
Type	"Four stroke water cooled direct injection diesel engine, Turbo charged"
Power at RPM	177 @ 2600 - 2600
Torque at RPM	686 @ 1400 - 1400
Emission standards	Euro 2
Generator	24 V / 50 A
Air Cleaner	Dry paper dual element type
Suction	Snorkel and rain cap
Governor	Electrical control type
Transmission	
Make	FUSO
Model	M070S6-OD
Type	Synchromesh
Shift	Manual
No. of gears forward	6
Low gear ratio	6.807
High gear ratio	0.774
Clutch	
Make	FUSO
Model	C7M38
Type	Hydraulic
Diameter (mm)	380
Drive Axle	
Model	D052H
Reduction type	Single
Final Ratio	5.428
Suspension	
Front	Long taper leaf springs with double acting type shock absorbers
Rear	Laminated leaf springs
Steering	
	Hydraulic power assisted
Brakes	
System type	Full Air, Dual circuit, Wedge type
Front	Drum
Rear	Drum
ABS	Yes
Park/Emergency System	Yes
Auxiliary Brakes	Exhaust brake
Tyres and Rims	
Tyre Sizes	265/70R19.5
Wheel type	Drum Type
Electrical	
System	24V

DIMENSIONS

www.fuso.co.za



SPECIFICATIONS

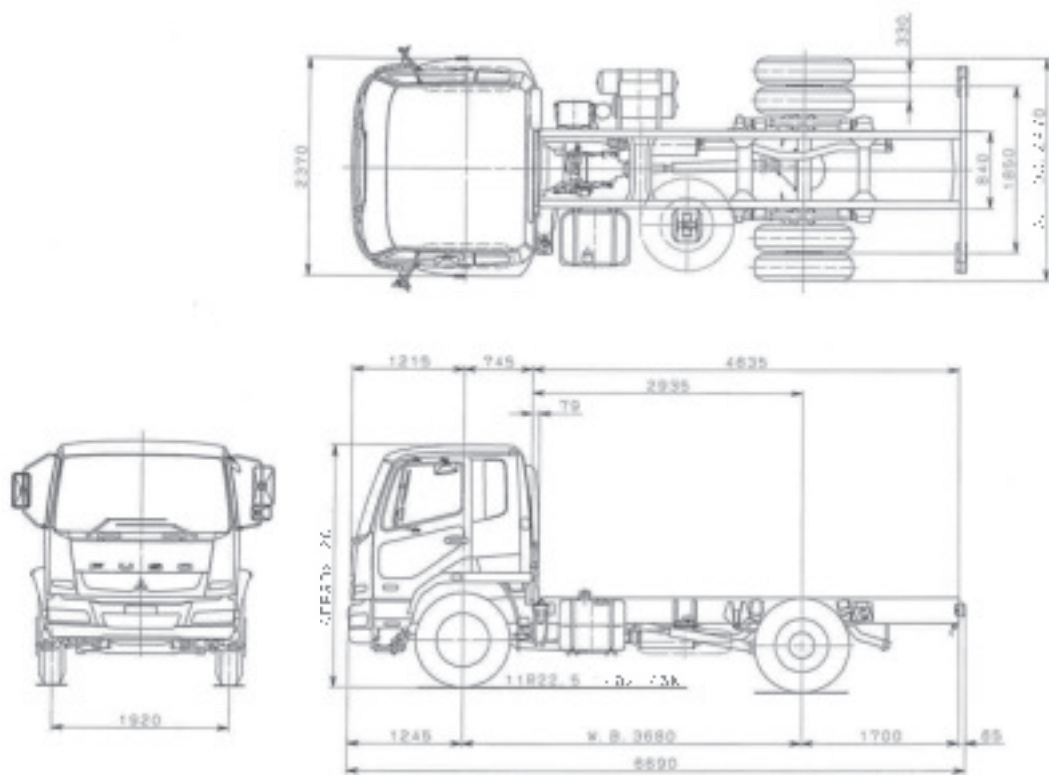
FM 15-270

Make		FUSO
Range		Fighter
Model		FM15-270 TIP
Model Code		FM65FF2DRBJ1
Axle Layout		4X2
Cab		Forward Control
Crew		3 seating
Vehicle type		Tipper
Mass Data (kg)		
GVM	Manufacturer's gross vehicle mass	15100
GCM	Manufacturer's gross combination mass	32000
D/T	Permissible max towing drawing vehicle mass	32000
GA-Front	Manufacturer's front axle mass	6000
GA-Rear	Manufacturer's rear axle mass	9700
V	Permissible maximum vehicle mass	15000
AF	Permissible maximum front axle mass	6000
AR	Permissible maximum rear axle mass	9000
UF	Unladen front axle mass	2825
UR	Unladen rear axle mass	1920
UT (Tare)	Total unladen mass	4745
Permissible Body + Payload		10355
Fuel Tank (Litres)	Capacity	200
Dimensions (mm)		
OL	Overall length	6690
OW	Overall width	2470
CA	Cab to Axle	2935
OH	Overall height	2690
FOH	Front overhang	1245
ROH	Rear overhang	1700
WB	Wheelbase	3680
Performance		
Gradeability at Permissible Maximum Weight (V)		58%
Maximum Speed (SA Legislation)		80 km/h
Minimum turning radius		7.1 m
Standard Equipment/features		
*Antilock Braking System (ABS) Exhaust Brake System		
Lockable Fuel Tank Cap		
Outside mirror with long stay		
Seatbelt for driver, front centre and driver assistant		
Ashtray on door for driver and assistant		
Cigarette lighter		
Sunvisor for Driver and assistant		
Interior mirror		
Heater and defroster		
Dual type electric horn		
All lamps with E.e mark		
Intelligent Instrument cluster		
Telescopic and tilt steering column with Steering lock		
Filter minder		
Reverse Warning Buzzer*		
Standard Services		
4 years / 300 000 km warranty		
20 000km maintenance schedule		

Engine	
Make	FUSO
Model	6M60-1AT2
Configuration	Diesel inline 6
Capacity (cm3)	7545
Type	*Four stroke water cooled direct injection diesel engine, Turbo charged*
Power at RPM	199 @ 2600 - 2600
Torque at RPM	786 @ 1400 - 1400
Emission standards	Euro 2
Generator	24 V / 50 A
Air Cleaner	Dry paper element type
Suction	Snorkel and rain cap
Governor	Electrical control type
Transmission	
Make	EATON
Model	FS-8209
Type	Synchromesh gears
Shift	Manual
No. of gears forward	9
Low gear ratio	12.6
High gear ratio	1
Clutch	
Make	FUSO
Model	C7M38
Type	Hydraulic
Diameter (mm)	380
Drive Axle	
Model	D052H
Reduction type	Single
Final Ratio	4.625
Suspension	
Front	Long taper leaf springs with double acting type shock absorbers
Rear	Laminated leaf springs
Steering	
Hydraulic power assisted	
Brakes	
System type	Full Air, Dual circuit, Wedge type
Front	Drum
Rear	Drum
ABS	Yes
Park/Emergency System	Yes
Auxiliary Brakes	Exhaust brake
Tyres and Rims	
Tyre Sizes	11R22.5
Wheel type	Drum Type
Electrical	
System	24V

DIMENSIONS

www.fuso.co.za



SPECIFICATIONS

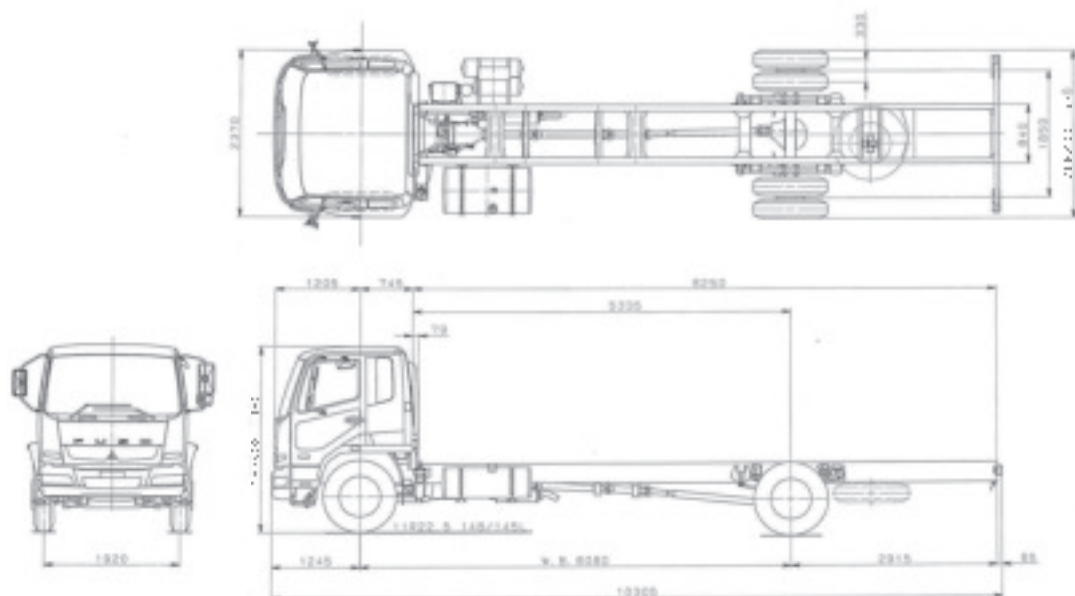
FM 16-270 FC

Make		FUSO
Range		Fighter
Model		FM 16-270 FC
Model Code		FM65FP2RBU1
Axle Layout		4X2
Cab		Forward Control
Crew		3 seating
Vehicle type		Freight Carrier
Mass Data (kg)		
GVM	Manufacturer's gross vehicle mass	16000
GCM	Manufacturer's gross combination mass	32000
D/T	Permissible max towing drawing vehicle mass	32000
GA-Front	Manufacturer's front axle mass	6000
GA-Rear	Manufacturer's rear axle mass	10000
V	Permissible maximum vehicle mass	15000
AF	Permissible maximum front axle mass	6000
AR	Permissible maximum rear axle mass	9000
UF	Unladen front axle mass	3035
UR	Unladen rear axle mass	2085
UT (Tare)	Total unladen mass	5120
Permissible Body + Payload		10255
Fuel Tank (Litres)	Capacity	300
Dimensions (mm)		
OL	Overall length	10305
OW	Overall width	2470
CA	Cab to Axle	5335
OH	Overall height	2680
FOH	Front overhang	1245
ROH	Rear overhang	2915
WB	Wheelbase	6080
Performance		
Gradeability at Permissible Maximum Weight (V)		53.5%
Maximum Speed (SA Legislation)		80 km/h
Minimum turning radius		11.1 m
Standard Equipment/features		
*Antilock Braking System (ABS)		
Exhaust Brake System		
Lockable Fuel Tank Cap		
Outside mirror with long stay		
Seatbelt for driver, front centre and driver assistant		
Ashtray on door for driver and assistant		
Cigarette lighter		
Survivor for Driver and assistant		
Interior mirror		
Heater and defroster		
Dual type electric horn		
All lamps with E.e mark		
Intelligent Instrument cluster		
Telescopic and tilt steering column with Steering lock		
Filter minder		
Reverse Warning Buzzer*		
Standard Services		
4 years / 300 000 km warranty		
20 000km maintenance schedule		

Engine	
Make	FUSO
Model	6M60-1AT1
Configuration	Diesel inline 6
Capacity (cm3)	7545
Type	"Four stroke water cooled direct injection diesel engine, Turbo charged"
Power at RPM	199 @ 2600 - 2600
Torque at RPM	786 @ 1400 - 1400
Emission standards	Euro 2
Generator	24 V / 50 A
Air Cleaner	Dry paper dual element type
Suction	Snorkel and rain cap
Governor	Electrical control type
Transmission	
Make	EATON
Model	FS-8209
Type	Synchromesh
Shift	Manual
No. of gears forward	9
Low gear ratio	12.6
High gear ratio	1
Clutch	
Make	FUSO
Model	C7M38
Type	Hydraulic
Diameter (mm)	380
Drive Axle	
Model	D052H
Reduction type	Single
Final Ratio	4.625
Suspension	
Front	Long taper leaf springs with double acting type shock absorbers
Rear	Laminated leaf springs
Steering	
	Hydraulic power assisted
Brakes	
System type	Full Air, Dual circuit, Wedge type
Front	Drum
Rear	Drum
ABS	Yes
Park/Emergency System	Yes
Auxiliary Brakes	Exhaust brake
Tyres and Rims	
Tyre Sizes	11R22.5
Wheel type	Drum Type
Electrical	
System	24V

DIMENSIONS

www.fuso.co.za



SPECIFICATIONS

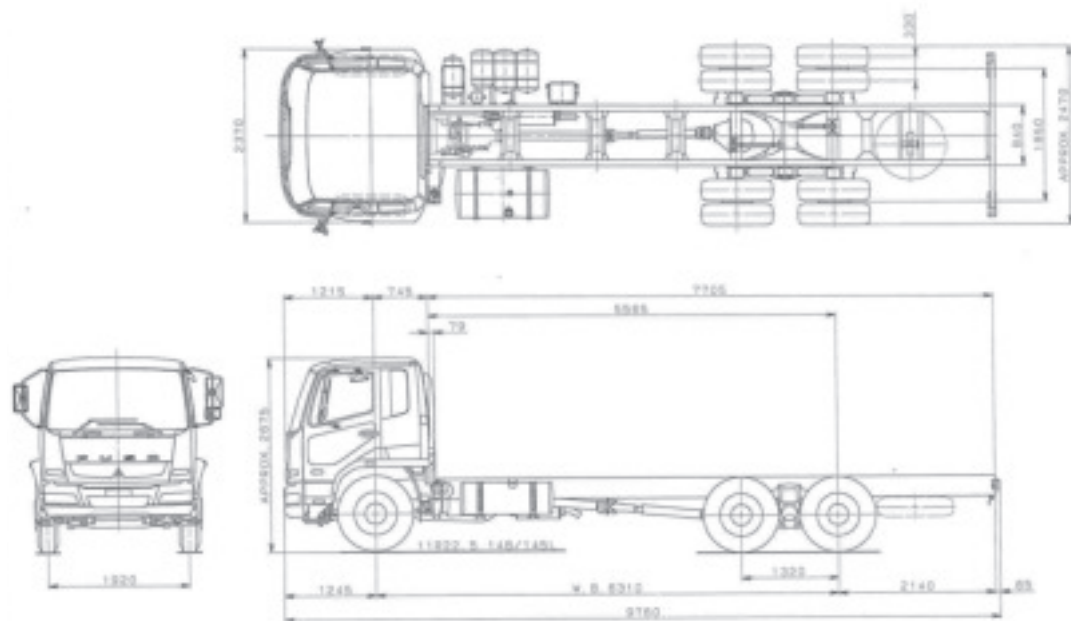
FN 25-270

Make		FUSO
Range		Fighter
Model		FN25-270 FC
Model Code		FN61FR2RBU1
Axle Layout		6x2
Cab		Forward Control
Crew		3 seating
Vehicle type		Freight Carrier
Mass Data (kg)		
GVM	Manufacturer's gross vehicle mass	25000
GCM	Manufacturer's gross combination mass	32000
D/T	Permissible max towing drawing vehicle mass	32000
GA-Front	Manufacturer's front axle mass	6000
GA-Rear	Manufacturer's rear axle mass	20000
V	Permissible maximum vehicle mass	24000
AF	Permissible maximum front axle mass	6000
AR	Permissible maximum rear axle mass	18000
UF	Unladen front axle mass	3100
UR	Unladen rear axle mass	3455
UT (Tare)	Total unladen mass	6555
Permissible Body + Payload		17445
Fuel Tank (Litres)	Capacity	300
Dimensions (mm)		
OL	Overall length	9760
OW	Overall width	2470
CA	Cab to Axle	4905
OH	Overall height	2675
FOH	Front overhang	1245
ROH	Rear overhang	2140
WB	Wheelbase	5650
Performance		
Gradeability at Permissible Maximum Weight (V)		35.5%
Maximum Speed (SA Legislation)		80 km/h
Minimum turning radius		10.7 m
Standard Equipment/features		
*Antilock Braking System (ABS)		
Exhaust Brake System		
Air dryer		
Tray under assistant seat		
Reverse warning buzzer		
High-low range indicator		
Standard tool set and hydraulic jack		
Heater and defroster		
Tachometer		
Cigarette lighter		
Filter minder*		
Standard Services		
4 years / 300 000 km warranty		
20 000km maintenance schedule		

Engine		
Make		FUSO
Model		6M60-1AT1
Configuration		Diesel inline 6
Capacity (cm3)		7545
Type		"Four stroke water cooled direct injection diesel engine, Turbo charged"
Power at RPM		199 @ 2600 - 2600
Torque at RPM		786 @ 1400 - 1400
Emission standards		Euro 2
Generator		24 V / 50 A
Air Cleaner		Dry paper dual element type
Suction		Snorkel and rain cap
Governor		Electrical control type
Transmission		
Make		EATON
Model		FS-8209
Type		Synchromesh
Shift		Manual
No. of gears forward		9
Low gear ratio		12.6
High gear ratio		1
Clutch		
Make		FUSO
Model		C7M38
Type		Hydraulic
Diameter (mm)		380
Drive Axle		
Model		D052H
Reduction type		Single
Final Ratio		5.142
Suspension		
Front	Long taper leaf springs with double acting type shock absorbers	
Rear	Laminated leaf springs	
Steering		
		Hydraulic power assisted
Brakes		
System type		Full Air, Dual circuit, Wedge type
Front	Drum	
Rear	Drum	
ABS	Yes	
Park/Emergency System		Yes
Auxiliary Brakes		Exhaust brake
Tyres and Rims		
Tyre Sizes		11R22.5
Wheel type		Drum Type
Electrical		
System		24V

DIMENSIONS

www.fuso.co.za





Part No.: LME3057260042

WWW.FUSO.CO.ZA

Manufactured by Mercedes-Benz South Africa
Mitsubishi Fuso authorized distributor, Mercedes-Benz South Africa